

# Stick infeed with VENTO™-H High speed cartoning for stick packs



INFEED



CARTONING



CASE PACKING

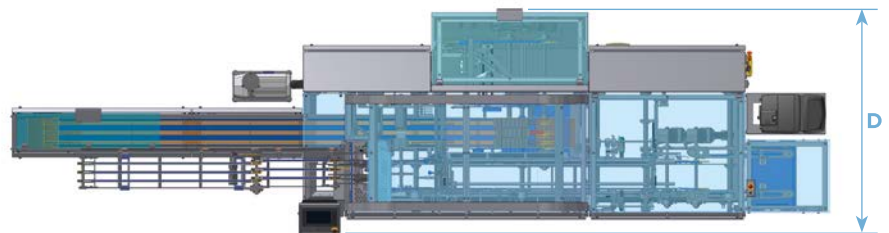


PALLETIZING

## TECHNICAL SPECIFICATIONS

- Motion Continuous
- Dimensions H = 70.90" / 1800 mm  
L = 278.30" / 7070 mm  
D = 69.30" / 1760 mm
- Electrical 230V - 400V/3PH, 50Hz
- Safety system Category 3 EN-13849-1 PLd (control reliable)
- Air consumption 0.4 m<sup>3</sup> /min @ 5-6 bar  
12-15 cfm @ 70-83 psi
- Weight App. 4,410 lbs / 2.000 kg

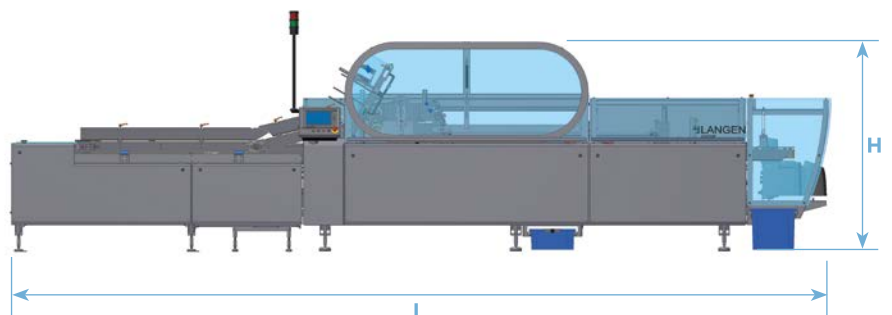
Langen Group's continuous motion solution for stick pack cartoning offers the potential to connect multiple stick pack machines to one cartoner. Combining high throughput with maximum flexibility in carton formats and stick counts while performing at Langen Group's known high industry standards.



## OUTPUT



- Sticks Max. 630 sticks per min. per infeed system
- Stick count 6 - 50 sticks per carton
- Carton Max. 180 cartons per min.
- Dimensions Min H= 0.98" / 25 mm  
L = 2.76" / 70 mm  
D = 3.74" / 95 mm
- Dimensions Max H = 3.54" / 90 mm  
L = 5.51" / 140 mm  
D = 7.87" / 200 mm



## STANDARD FEATURES

- 2 stick infeed systems containing:
  - Multi-lane dropbox
  - 8m inclined conveyor with guarding and individual stick counting feature
  - High speed Flexcount Bomb bay unit for sticks with separate safety slides
- One carton format and stick count fully tested
- Designed to meet international hygienic standards
- Open flap detection with reject
- Automatic changeover features
- Allen-Bradley controls



## OPTIONAL FEATURES

- Additional infeed system
- Equalizing technology to evenly distribute the content within the sticks improves reliability and performance of the packaging line
- Additional formats and stick counts
- Printer integration
- Stick sampling unit
- Manual refeed station



*All information given in this document is dependent upon final machine specification, infeed arrangement, product type and carton specification.*

**AMERICAS**  
**EUROPE, MIDDLE EAST, AFRICA**  
**ASIA & AUSTRALIA**

Canada  
The Netherlands  
Singapore  
Thailand

Ph: +1 905 670 7200  
Ph: +31 24 648 66 55  
Ph: +65 62 89 37 88  
Ph: +66 23 02 14 15

sales-americas@langengroup.com  
sales-europe@langengroup.com  
sales-asia@langengroup.com  
sales-asia@langengroup.com

**WWW.LANGENGROUP.COM**

