

Stick packs from a single stick packer

Compact stick pack solution for powdered coffee in 2 count sizes



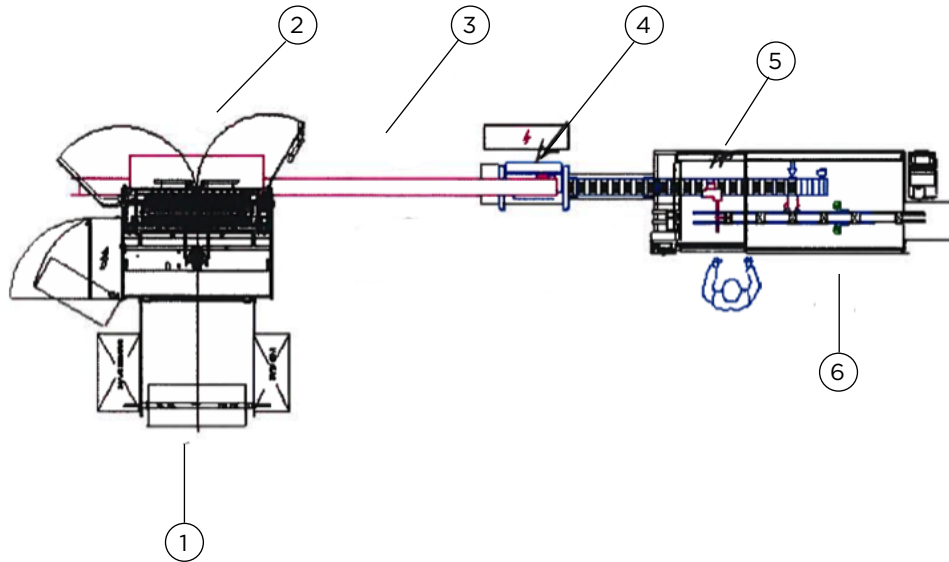
Requirements summarized

- Stick dimension: 110 mm x 22 mm x 7 mm / 4.33" x 0.87" x 0.28"
- Stick contents: 1,5 gr / 0.05 oz coffee powder
- Maximum 24 cartons per minute
- 24 or 48 sticks per carton

Challenges summarized

- Seamless integration with upstream equipment
- Sampling function from each lane
- Food application with corresponding requirements

MACHINE LAYOUT MARIN™



Solution highlights

1. Collation, grouping, and infeed system

- Multilane conveyor for individual stick funneling
- Dropgate with chute as link to inclined conveyor
- 3-level bomb-bay systems for sticks with individual counting system

2. Cartoner

- 9" Langen Group MARIN™
- 2-head rotary feeder with pre break for optimal carton folding
- Simple overhead confiner unit
- Serrated stick pack buckets for perfect control
- Food industry approved polycarbonate covers

1. 12 Lane stick packer
2. Dropgate for synchronization
3. Inclined conveyor
4. Infeed system for stick packs, 3-level bomb-bay system
5. Confiner unit
6. Langen Group MARIN™ (9" version)

All information given in this document is dependent upon final machine specification, infeed arrangement, product type and carton specification.

AMERICAS

EUROPE, MIDDLE EAST & AFRICA
ASIA & AUSTRALIA

Canada

The Netherlands

Singapore

Thailand

Ph: +1 905 670 7200

Ph: +31 24 648 66 55

Ph: +65 62 89 37 88

Ph: +66 23 02 14 15

sales-americas@langengroup.com

sales-europe@langengroup.com

sales-asia@langengroup.com

sales-asia@langengroup.com

