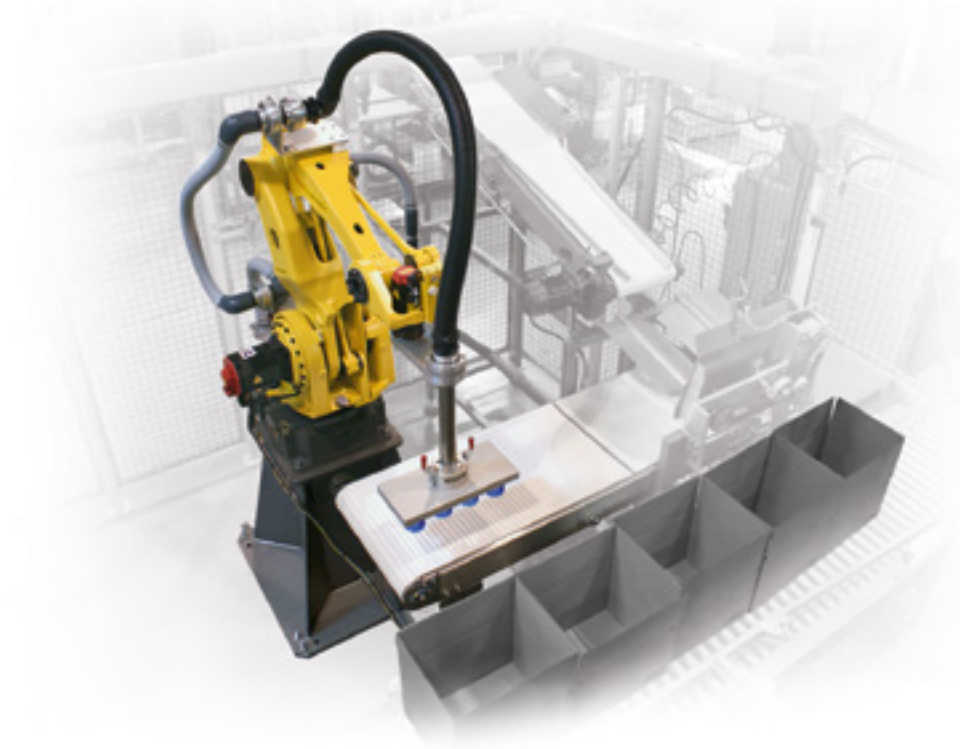


LRC-500™ Robotic case packer



INFEED



CARTONING



CASE PACKING

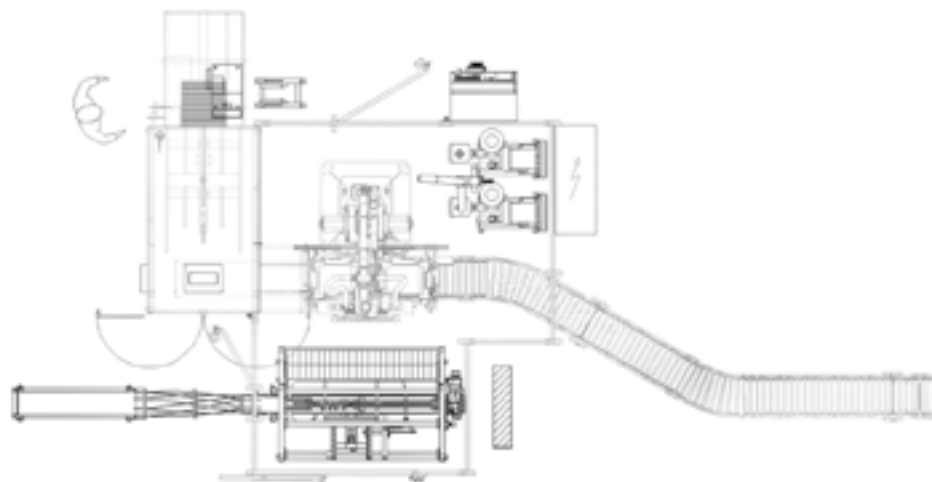


PALLETIZING

TECHNICAL SPECIFICATIONS

- Electrical 230V - 575V/3PH, 50/60Hz
- Safety system Category 3 EN-13849-1 PLd (control reliable)
- Air consumption Typically 0.35 m³ per minute @ 5 - 6 bar / 12 - 15 cfm @ 70 - 83 psi
- Weight Depending on final configuration

The Molins Langen LRC-500™ is a robotic case packer for demanding applications requiring small footprint in combination with quick change-overs.



OUTPUT

- Due to the flexibility, the maximum speed and carton sizes are strongly depends on product and pack configuration

STANDARD FEATURES

- Integrated FANUC robot providing reliability and flexibility
- Touch screen HMI for easy operation
- Modular product infeed
- Advanced quick and tool less change over features
- Easy access for maintenance and cleaning
- CE/UL/CSA compliant
- Interlocked perimeter guarding
- * E-stop recovery without re-homing



OPTIONAL FEATURES

- Variety of infeed systems (linear servopack, low back pressure collation, smart belt, etc.)
- Integration of case erector
- Integration of case sealer
- Integration of checkweigher, printers, vision, case coders, and metal detection



All information given in this document is dependent upon final machine specification, infeed arrangement, product type and bags specification.

