

LRC-400™ Robotic top load cartoner



INFEED



CARTONING



CASE PACKING

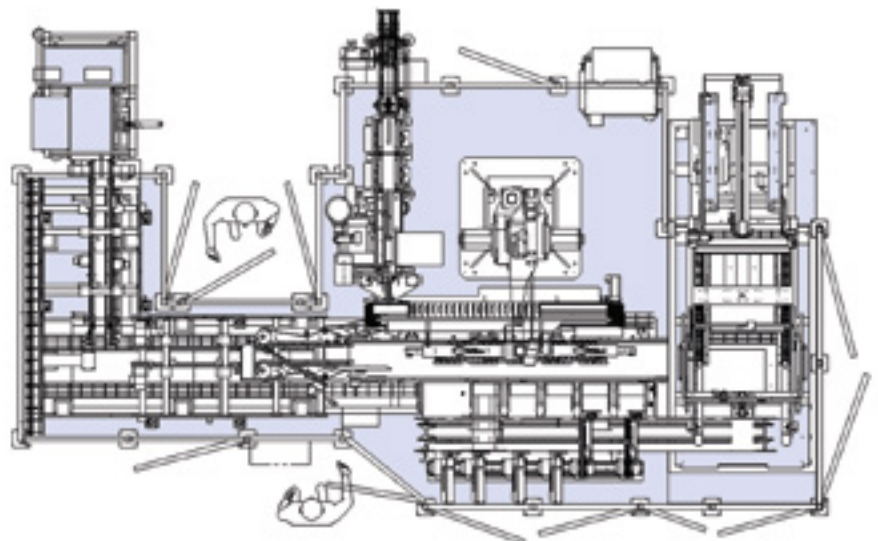


PALLETIZING

TECHNICAL SPECIFICATIONS

- Motion Continuous
- Electrical 230V - 575V/3PH, 50/60Hz
- Safety system Category 3 EN-13849-1 PLd (control reliable)
- Air consumption Depending on final configuration
- Weight Depending on final configuration

The Molins Langen LRC-400™ is a robotic top load cartoner for demanding applications requiring individual modules for carton forming, carton loading and carton sealing.



OUTPUT

- Due to the flexibility of this cartoner the maximum speed, and carton sizes are strongly dependent on product and configuration

STANDARD FEATURES

- Integrated fast, reliable, and flexible FANUC robot
- Touch screen HMI for easy operation
- Modular product infeed
- Advanced quick and tool-less change over features
- Easy access for maintenance and cleaning
- CE/UL/CSA compliant



OPTIONAL FEATURES

- Variety of infeed systems (linear servopack, low back pressure collation, smart belt, etc.)
- Integration of carton or tray erector
- Integration of carton or tray sealer
- Integration of checkweigher, printers, vision, and metal detection



All information given in this document is dependent upon final machine specification, infeed arrangement, product type and bags specification.

